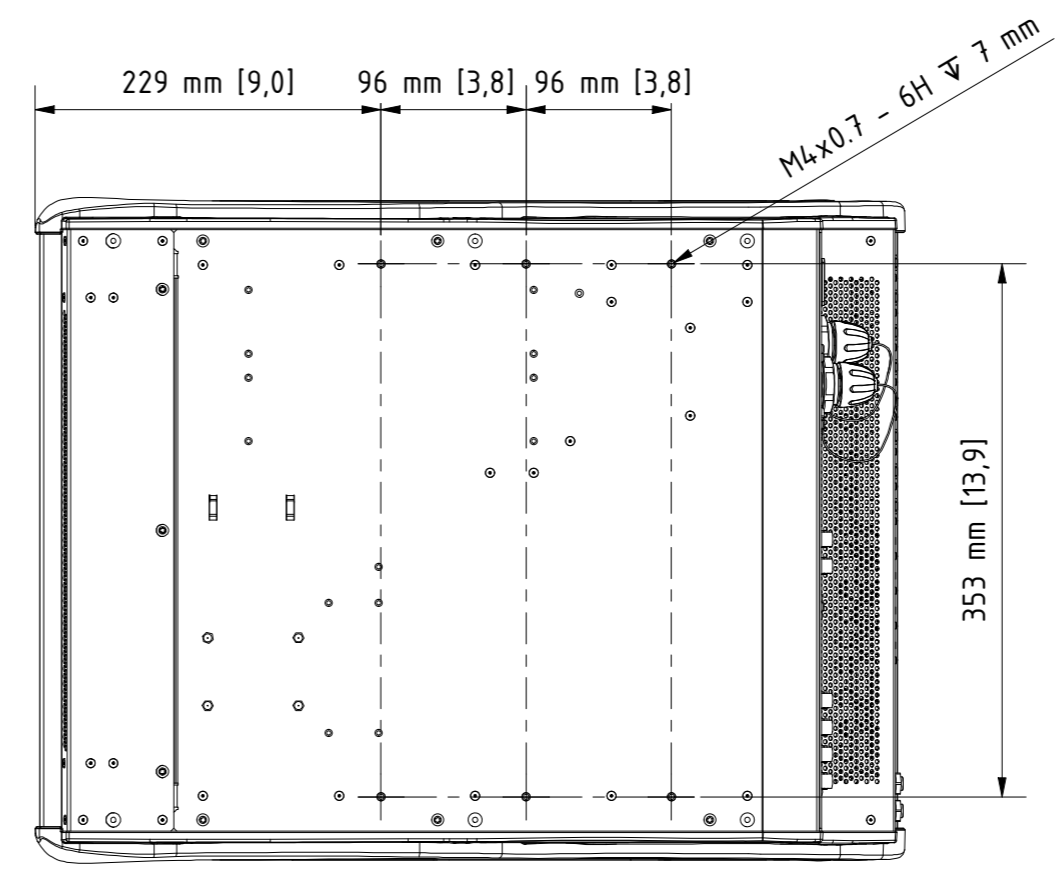
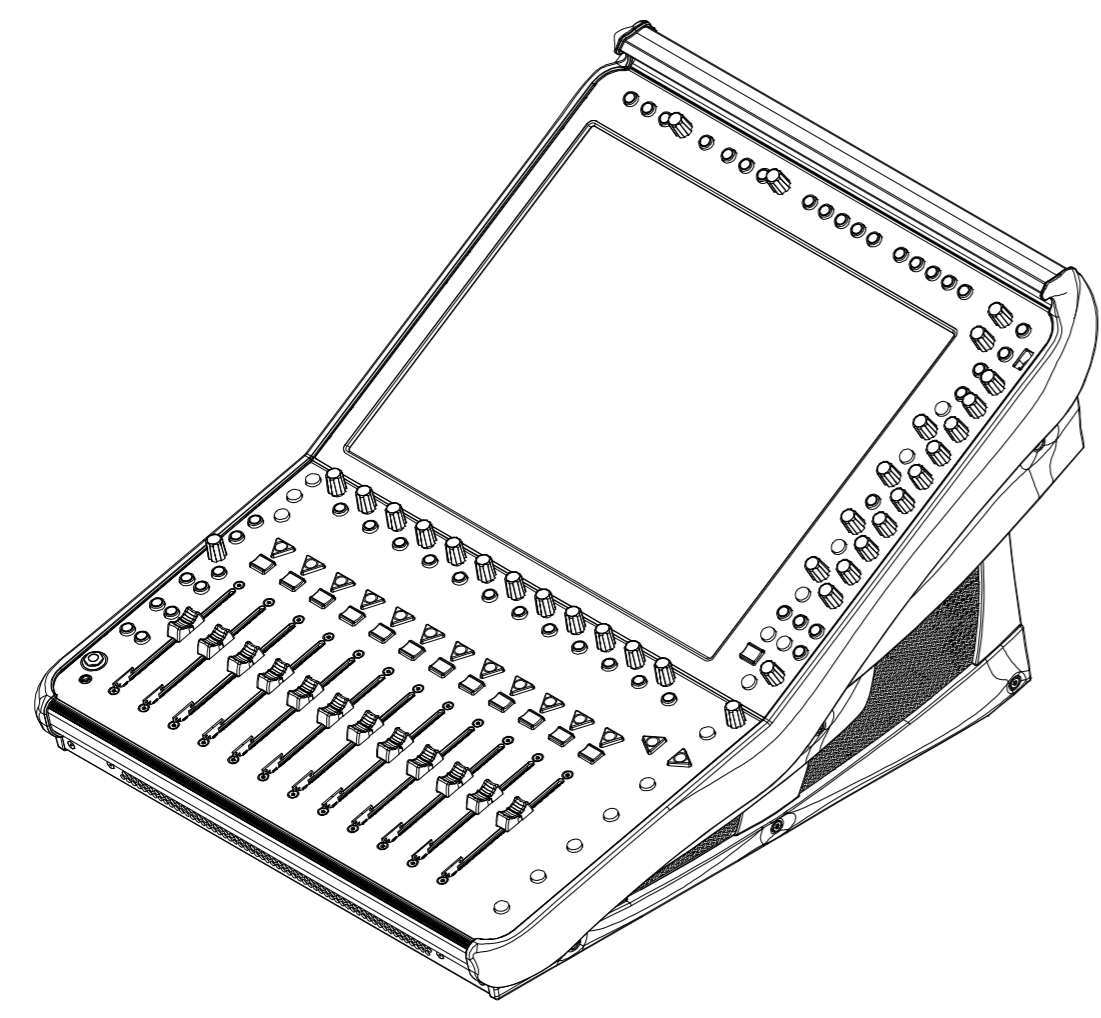
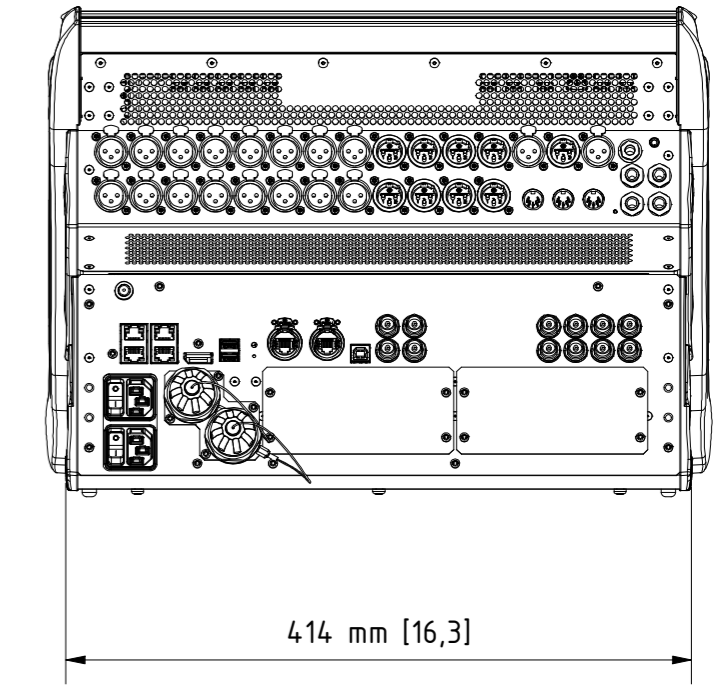
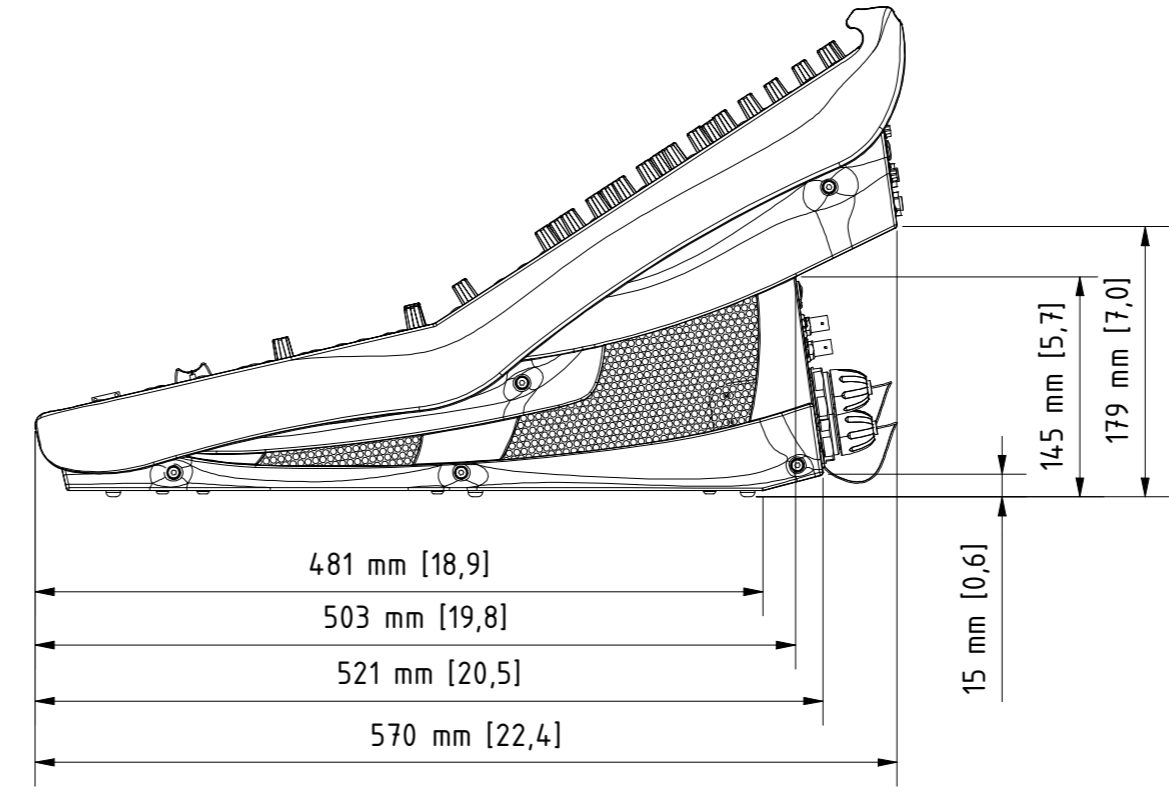
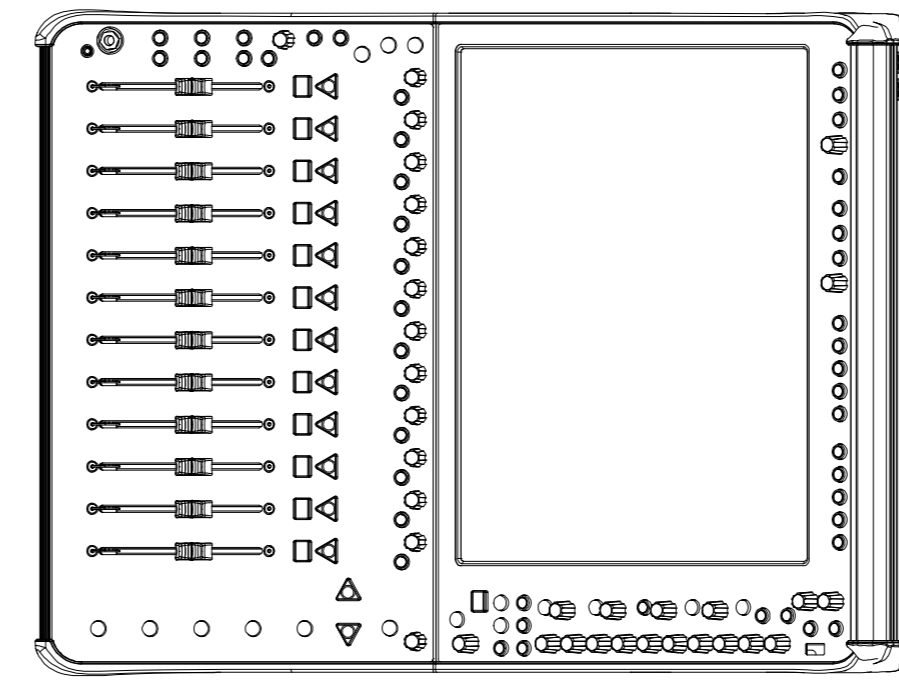
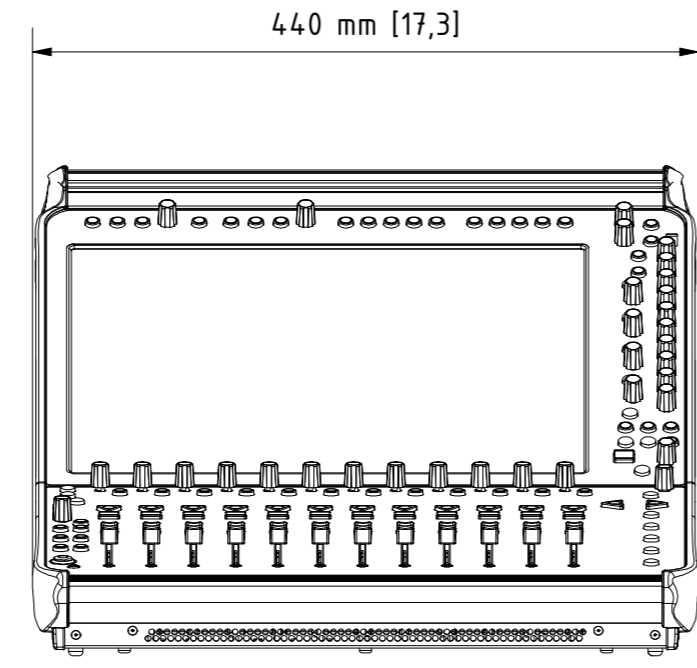
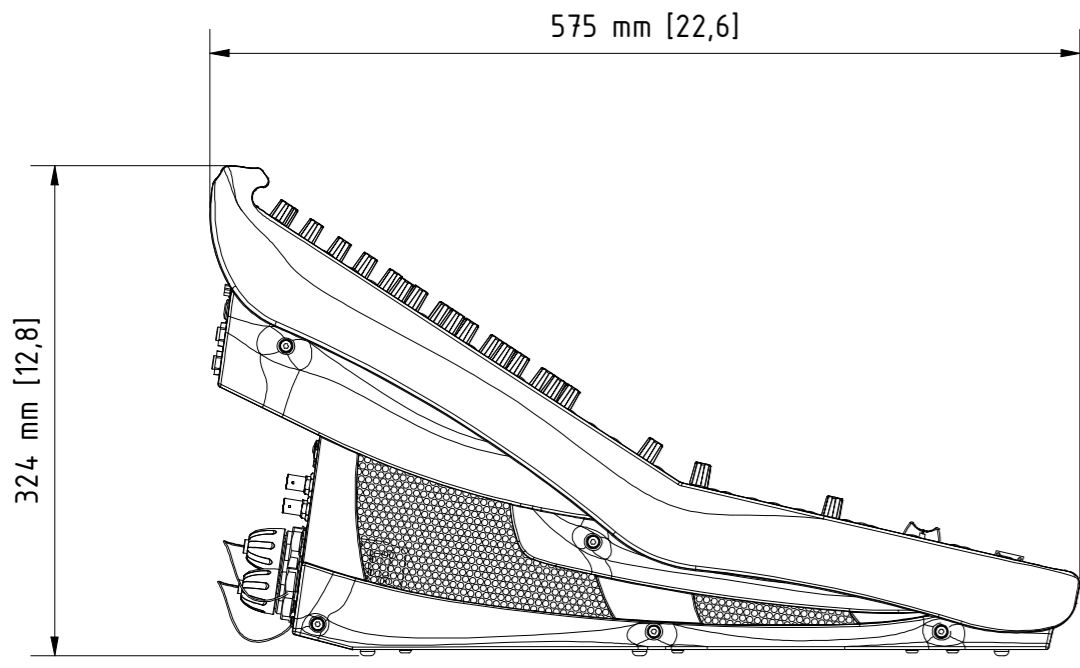


REVISION HISTORY					
ZONE	REV	DESCRIPTION	DATE	DCN/ECN/PRN	ENGINEER
	1	NEW DRAWING	16/07/2025		RJJ



OUTLINE DRAWING NOTES
 1. THIS IS UNCONTROLLED DOCUMENT.
 2. DIMENSION CORRECT AT TIME OF PUBLICATION.
 3. GRAPHICAL DETAILS RERESENTIVE ONLY.

STATUS: PRODUCTION	DiGiCo STOCK NUMBER (EPICOR): X-Q112-*	DRAWN BY: R. Jowitt	MATERIAL REF:	MATL. SIZE:	MATERIAL DESCRIPTION:
DESIGN STATE Released	DWG FILE NUMBER: 180-00001.dwg	DATE: 16/07/2025	FINISH REF:	FINISH DESCRIPTION	
 DIGICO SOLUTIONS SOUNDTRACS DIGIRID KLANG <small>email: info@digiconsoles.com, web site: www.digiconsoles.biz</small>	UNLESS OTHERWISE STATED: - DIMENSIONS IN MILLIMETERS - ALL TOLERANCES TO CONFORM TO DIN 2768 "MEDIUM" - LIMITS APPLY AFTER FINISHING - REMOVE SHARP EDGES AND BURRS	CHECKED: RJJ	TITLE: Q1 OUTLINE DRAWING		
	DIN 2768 "MEDIUM" LINEAR TOLERANCES: 0.5 UP TO 6 ±0.1 OVER 6 UP TO 30 ±0.2 OVER 30 UP TO 120 ±0.3 OVER 120 UP TO 400 ±0.5 OVER 400 UP TO 1000 ±0.8 OVER 1000 UP TO 2000 ±1.2 OVER 2000 UP TO 4000 ±2.0	DATE: 16/07/2025	EST MASS: 14.000 kg		
	COPYRIGHT: THIS DRAWING IS THE PROPERTY OF DIGICO (UK) LTD. THE INFORMATION IS CONFIDENTIAL & MAY NOT BE USED WITHOUT THE WRITTEN CONSENT OF DIGICO (UK) LTD. THE CONTENTS DETAILLED ARE CORRECT AT THE TIME OF PUBLICATION AS AN INNOVATIVE DESIGN MANUFACTURER DIGICO (UK) LTD. RESERVES THE RIGHT TO MAKE CHANGES WITHOUT NOTICE IN ALL CARS MATERIALS SPECIFICATION AND MODELS. DIGICO AND SOUNDTRACS ARE REGISTERED TRADEMARKS. © 2024 DIGICO	FIRST USED ON:	SCALE: 1 : 5		
PRODUCT: QUANTUM 1	DEVELOPMENT CODE: PUFFERFISH	DRAWING SHEET SIZE: A2	DRAWING NUMBER: 180-00001	SCREEN CODE: 1	ISSUE: 1
					SHEET 1 OF 1